



LEDVANCE

PHASE EV™ COMMERCIAL AND RESIDENTIAL CHARGING STATIONS

PHASE EV™



LEDVANCEUS.COM





CONTENTS

LEDVANCE PHASE EV™ COMMERCIAL CHARGING STATIONS

BENEFITS AND FEATURES	4
WHY LEDVANCE PHASE EV™	6
SPECIFICATIONS	7
AmpUp SOFTWARE	8
LEVEL 2 CHARGER PRICING	8
TIER FEATURES	9
ORDERING GUIDE	10
MOUNTING APPLICATIONS AND DIMENSIONS	11-13



LEDVANCE PHASE EV™ RESIDENTIAL CHARGING STATIONS

BENEFITS AND FEATURES	14
SYLVANIA WiFi APP	15
WHY LEDVANCE PHASE EV™	16
SPECIFICATIONS	17
ORDERING GUIDE	18
MOUNTING APPLICATIONS AND DIMENSIONS	19



LEDVANCE PHASE EV™ CHARGER

INDUSTRY LEADING 5-YEAR WARRANTY INCLUDED



Pre-installed SIM card provides for hassle-free setup

BENEFITS AND FEATURES

- Fast charging with 11.5 kW maximum power output
- Monetize and profit from your EV charging site
- Simple to install, commission and use
- Complete integrated hardware and software solution
- Optimize your site's energy usage and ROI
- Take advantage of available Incentive and Rebate Programs

POWERED BY: AmpUp SOFTWARE



KEY FEATURES

- Multi-site management
- Real-time analytics
- Smart scheduling
- Advanced access control
- Create user groups
- RFID access
- Power load management
- Automated reporting
- Tiered pricing capability
- 24/7 Customer support

Green
Available for Charging

Blue
Charging/In Operation

Purple
Charging Complete

Red
Service Needed



COMMERCIAL WHY LEDVANCE PHASE EV™

Hardware

Rugged NEMA 4 enclosure certified for indoor and outdoor use

IK08 impact protection

IP66 ingress protection

Status indicator bar

Color changing bar shows status of the PHASE EV

Green – Available for Charging

Blue – Charging/In Operation

Purple – Charging Complete

Red – Service Needed

RFID access

RFID allows for flexible, personalized charging options

Software

AmpUp Community Manager offers advanced yet easy-to-use tools that help set up and manage your station(s)

Performance & value

Affordably priced L2 Charger offers fast charging through powerful software



COMMERCIAL SPECIFICATIONS

FEATURES AND FUNCTIONS

Charging mode	Level 2
Vehicle connection	SAE J1772 (Type 1 connector)
Cable length	25ft
Display	4.3in LCD w/charging status light bar

COMMUNICATION

Interfaces	Ethernet, 4G, Wi-Fi
SIM card	SIM card slot – 4G SIM Card (AmpUp, shipped installed)
User authentication	RFID, QR code, App
Back-end protocol	OCPP 1.6, upgradeable to OCPP 2.0.1
Software upgrade	Over-the-air (OTA)
Software provider	AmpUp

ELECTRICAL DESIGN

Power supply voltage	AC level 2, 208/240V
Rated frequency	50Hz/60Hz
Rated current	Up to 48A – 16/32/40/48 amp selectable
Power output	Max 11.5kW
Input connection	Hardwired – terminal lug screws
Primary wire gauge	6 AWG, 75°C min. cable rating, refer to local codes
Power requirements	208V (single phase)/240V (single or split phase)
Metering	Revenue grade embedded metering ±1% accuracy*
Ground fault protection	Standard
Over voltage protection	Standard – 6kV surge suppression
Over current protection	Standard

GENERAL DESIGN

Environmental rating	NEMA 4 enclosure (UL50E), IK08 impact protection
Ingress protection	IP66
Dimensions (H x W x D)	16.34" x 9.45" x 5.59" (415mm x 240mm x 117mm)
Weight	19.8–22 lbs (9–10kg)
Operating temp	-22°F to 122°F (-30°C to 50°C)
Storage temp	-40°F to 167°F (-40°C to 75°C)
Cooling	Natural cooling – fanless
Paint	UV protection

CERTIFICATIONS AND STANDARDS

Standards	ETL (UL2594, UL2231, UL1998, UL991)
EMC	FCC Part 15 Class B
ENERGY STAR® (EVSE v1.1)	Yes
Warranty	5-Year warranty

*In California - applications for which users do not pay a fee for charging.

AmpUp SOFTWARE PLANS

LEVEL 2 CHARGER PRICING



POWERFUL AND FLEXIBLE TO MEET CHARGING SITE OWNER'S NEEDS

AmpUp offers three software subscription levels that give you what you need to establish a reliable and responsive charging location.

STARTER

\$175

per port per year

- Analytics & Reporting
- Driver Reservations
- Driver RFID Card
- Location Access Control
- Driver Support
- Remote Troubleshooting
- Standard Host Support

CORE

\$250

per port per year

MOST POPULAR

Everything in STARTER +

- Revenue Collection
- Direct Deposit
- Driver Access Groups
- Multi-Site Management
- Multi-user Account
- Extended Host Support

PRO

\$350

per port per year






Everything in CORE +

- Tiered Pricing
- Time-of-use Rates
- Time-Based Access Control
- Session Limits & Idle Fees
- Advanced Load Management
- Premium Host Support

+ ONE TIME **ACTIVATION FEE** \$50 PER PORT

AmpUp SOFTWARE PLANS

TIER FEATURES

	STARTER	CORE	PRO
 ANALYTICS & REPORTING			
Analytics & Reporting — View charging session data, utilization, revenue, and sustainability metrics. Download reports and analytics for utility or ESG reporting	■	■	■
 DRIVER ACCESS			
Driver Reservations — Drivers can be sure a charger is available by reserving in advance	■	■	■
Driver RFID Card — Charge with the tap of a RFID card. AmpUp supports adding charging to a RFID the driver already has (for example, a building badge)	■	■	■
Location Access Control — Publish charging stations to the AmpUp mobile app, Google Maps, and PlugShare, or keep them private	■	■	■
Driver Access Groups — Control charger access and pricing for specific groups of drivers, including free or subsidized charging		■	■
Time-based Access Control — Change public access based on the day and time for each location			■
Session Limits & Idle Fees — Encourage drivers to share charging stations by imposing time limits or charging idle fees for drivers staying after a certain time period			■
 REVENUE GENERATION			
Revenue Collection & Direct Deposit — Set rates by time or energy used. Revenue collected from drivers' charging sessions is remitted via direct deposit to a single bank account		■	■
Tiered Pricing — Set two-tier charging rates with one price for initial time period or energy usage and a different rate thereafter			■
Time-of-use Rates — Manage pricing based on the time of day to accommodate for different utility rates or driver demand			■
 LOCATION & ACCOUNT MANAGEMENT			
Multi-site Management — Manage multiple locations from one dashboard—floors of a parking garage, areas of a campus, different addresses—as unique areas with different settings		■	■
Multi-user Account — Enable multiple users to see analytics, download reports, and manage charging by adding them as a manager or operator to the account		■	■
Advanced Load Management — Set an energy load cap that limits maximum power available across a location to reduce the load on the panel			■
 SUPPORT & TROUBLESHOOTING			
Driver & Host Support — Drivers have 24/7 access to AmpUp's help desk. Standard host support 9-5 EST via help desk and chat. Extended support 8-8 EST. Premium adds phone and priority support	■	■	■
Remote Troubleshooting — Get alerts, diagnose problems, and remotely restart chargers	■	■	■

COMMERCIAL ORDERING GUIDE

ORDERING INFORMATION

ITEM NUMBER	MODEL	DESCRIPTION
78134*	EVC48ALVL2C1	EV Charger, 48A, Level 2 Commercial, Orange
78135	EVCPEP	Base pedestal for EV charger
78136	EVCPEDEXT	Pedestal extender with cable management
78137	EVCSBSMTGPLATE	Side by side mounting plate

*Wall mountable — pedestal and additional accessories sold separately



Scan QR code
to access product
specification sheet



78134
EV Charger, 48A,
Level 2 Commercial



78135
Pedestal for
EV Charger



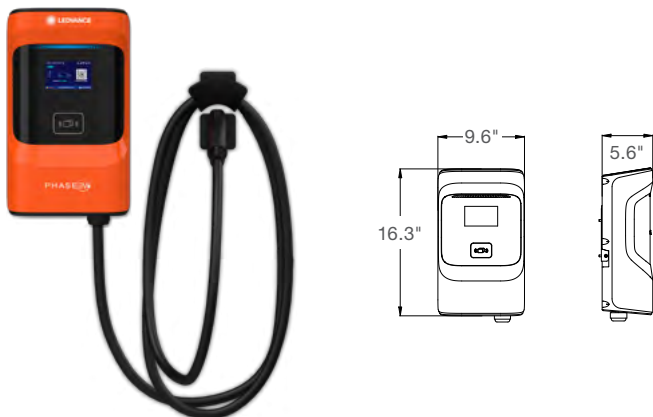
78136
Pedestal
extender
with cable
management



78137
Side by side mounting plate

COMMERCIAL MOUNTING APPLICATIONS

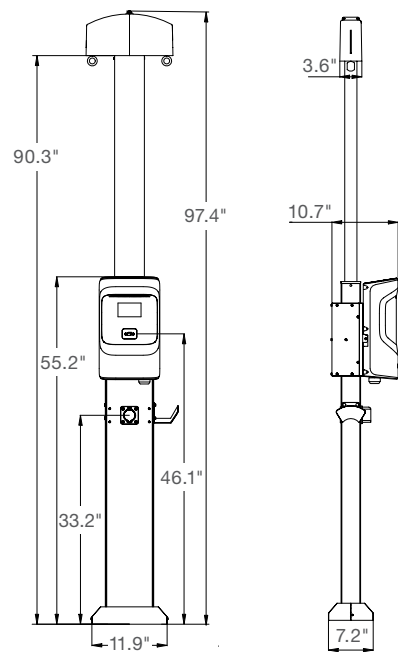
WALL MOUNT



SINGLE CHARGER WITH CABLE MANAGEMENT



SINGLE CHARGER WITH PEDESTAL

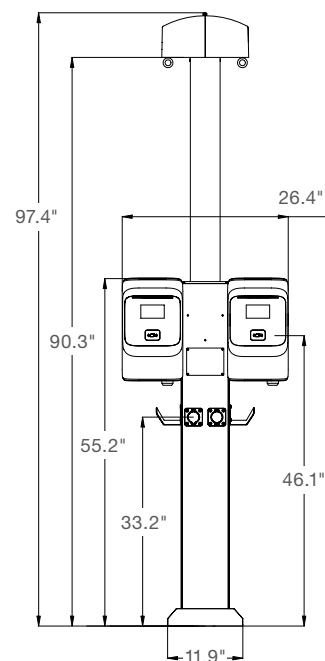
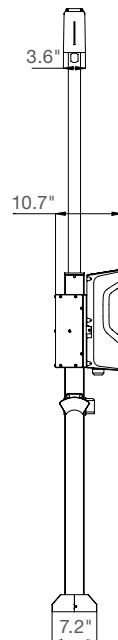
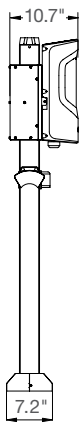
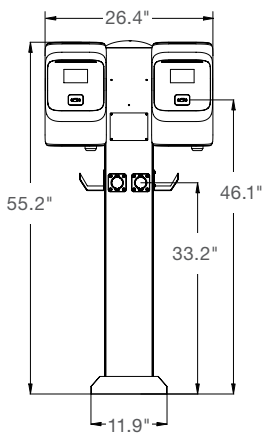


COMMERCIAL

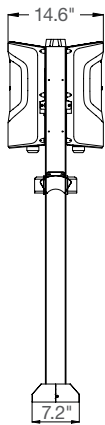
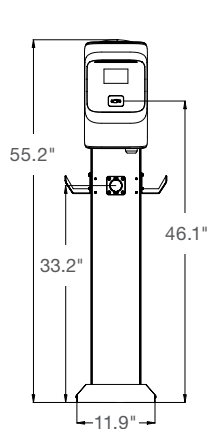
COMMERCIAL MOUNTING APPLICATIONS

DOUBLE CHARGER, SIDE-BY-SIDE WITH CABLE MANAGEMENT

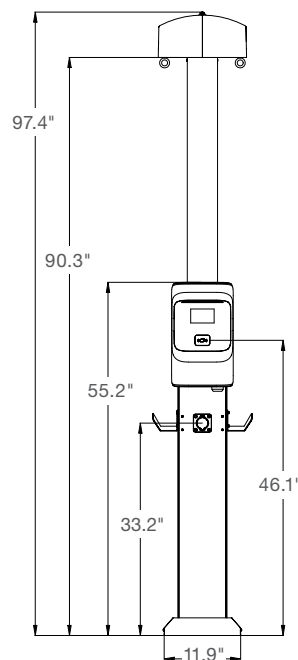
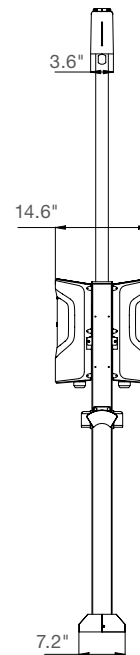
DOUBLE CHARGER, SIDE-BY-SIDE



DOUBLE CHARGER, BACK-TO-BACK



DOUBLE CHARGER, BACK-TO-BACK WITH CABLE MANAGEMENT



COMMERCIAL

LEDVANCE PHASE EV™ RESIDENTIAL CHARGER

3-YEAR WARRANTY INCLUDED



BENEFITS AND FEATURES

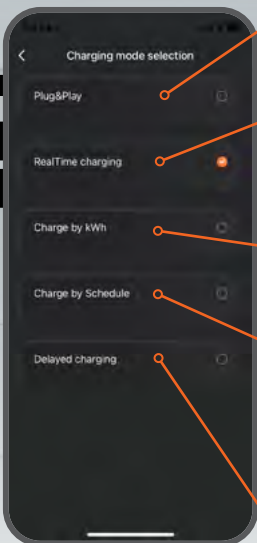
- Fast charging with 11.5kW maximum power output
- Up to 42 miles of range per hour of charge
- SAE J1772 charging connector
- 25-foot charging cable
- Built-in WiFi (802.11 b/g/n/2.4GHz) and Bluetooth® connectivity
- Rugged NEMA 4X Enclosure
- Dynamic LED indicates the charger status
- Charging handle cradle with integrated cable management included

SYLVANIA WiFi APP

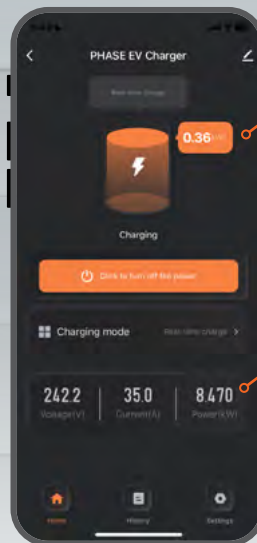


The Residential Phase EV comes configured as a Plug and Play unit for quick and easy setup.

The free SYLVANIA WiFi App gives users ultimate flexibility over the use and monitoring of the Phase EV charger, including setting various charge modes, scheduling the charging sessions to take advantage of off-peak utility rates, and tracking their energy usage.



- Plug & Play Mode** – enables the charging session to start by simply plugging in the vehicle without the use of the App
- Real Time Charging Mode** is similar to Plug & Play mode – with the added benefit of controlling and monitoring the charging session with the App
- Charge by kWh** enables the user to set the total amount of energy that is delivered to the vehicle during the charging session
- Charge by Schedule** enables the user to program the start and stop times for the charge sessions. After a vehicle is plugged in, the charger will not start until the programmed start time. This enables charging during off-peak rates and times
- Delayed charging** enables the user to enter the number of hours to delay the start of the charging session after the vehicle is plugged in



- While the charger is in use, the App will display the accumulated energy used thus far in the session
- The App also displays the real time voltage, current and power being supplied to the vehicle

SCAN TO
DOWNLOAD &
INSTALL THE
FREE SYLVANIA
SMART WiFi APP

RESIDENTIAL

FRONT LED INDICATOR LIGHT

Blue
Charger is in Stand-By mode and ready to charge

Solid Green
Charger is connected to vehicle and ready to charge

Flashing Green
Vehicle is charging

Red
Fault—refer to installation instructions for detailed information



RESIDENTIAL WHY LEDVANCE PHASE EV™

Hardware

Rugged NEMA 4 enclosure certified for indoor and outdoor use
IK10 impact protection
IP66 ingress protection

WiFi & Bluetooth® enabled

Built-in WiFi (802.11 b/g/n/2.4GHz) and Bluetooth® connectivity

Status indicator LED

Color changing dynamic LED shows status of the PHASE EV charger

Blue – Charger is in Stand-By mode and ready to charge

Solid Green – Charger is connected to vehicle and ready to charge

Flashing Green – Vehicle is charging

Red – Fault—refer to installation instructions for detailed information

Hardwired

AC level 2, 208/240V, 48A

Charging connection

25 Foot charging cable with SAE J1772 (Type 1 connector)



RESIDENTIAL SPECIFICATIONS

FEATURES AND FUNCTIONS

Charging mode	Level 2
Vehicle connection	SAE J1772 (Type 1 connector)
Cable length	25ft

COMMUNICATION

Wireless connectivity	Built-in WiFi (802.11 b/g/n/2.4GHz) and Bluetooth® connectivity
Firmware	Over-the-air (OTA) upgradeable firmware
Center LED indicator	Dynamic LED lights show charging status: standby, Device connectivity, charging in progress, fault indicator

ELECTRICAL DESIGN

Power supply voltage	AC level 2, 208/240V
Rated frequency	60Hz
Rated input current	48A Max
Rated output current	48A Max – Max output current can be set from 1 to 48A using the SYLVANIA Smart WiFi App
Power output	Max 11.5kW at 240 V _{AC}
Input connection	Hardwired — by licensed electrician
Primary wire gauge	6 AWG, 75°C min. cable rating, refer to local codes
Power requirements	208V (single phase), 240V (single phase), 60 Amp double pole breaker
Ground fault protection	Standard
Over voltage protection	Standard
Over current protection	Standard

GENERAL DESIGN

Environmental rating	NEMA 4 enclosure, IK10 impact protection
Ingress protection	IP66
Dimensions main enclosure (H x W x D)	8.3" x 7.7" x 3.3" (211mm x 196mm x 84.5mm)
Operating temp	-22°F to 122°F (-30°C to 50°C)
Storage temp	-22°F to 122°F (-30°C to 50°C)

CERTIFICATIONS AND STANDARDS

Standards	ETL, UL2594 compliant, NEC625 compliant
EMC	FCC Part 15 Class B, ICES-003
ENERGY STAR® (EVSE v1.1)	Yes
Warranty	3-Year limited product warranty

RESIDENTIAL ORDERING GUIDE

ORDERING INFORMATION

ITEM NUMBER	MODEL	DESCRIPTION
78146	EVC48ALVL2R	EV Charger, 48A, Level 2 Residential

78146
EV Charger, 48A,
Level 2 Residential

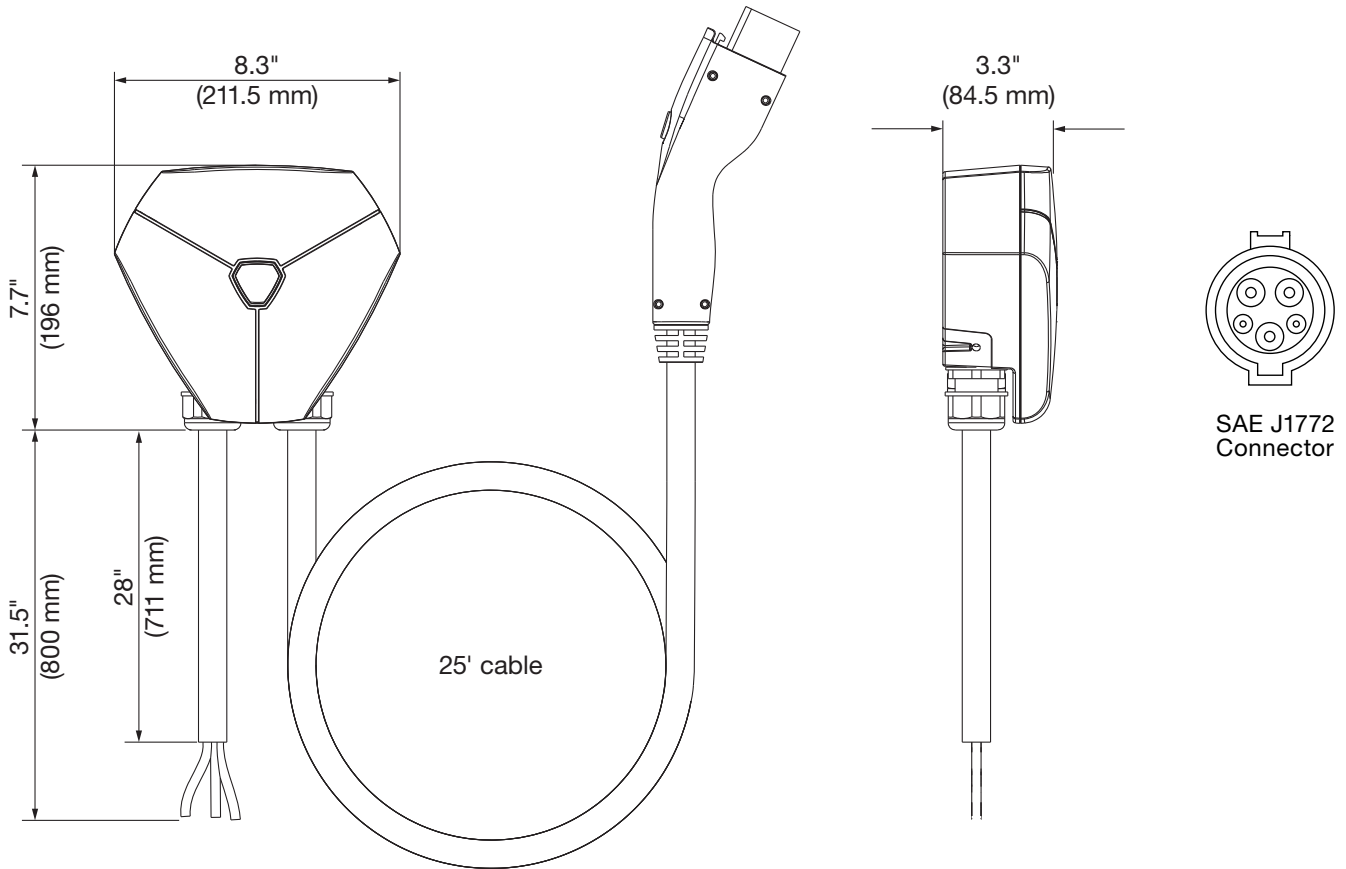


Scan QR code
to access product
specification sheet



RESIDENTIAL MOUNTING APPLICATIONS

WALL MOUNT



RESIDENTIAL

INCLUDED ACCESSORIES



Charger mounting plate



Charging handle holster with integrated cable wrap



Mounting screws

With offices in more than 50 countries and business activities in more than 140 countries, LEDVANCE is one of the world's leading general lighting providers for professional users and end consumers. In North America, LEDVANCE LLC offers a wide range of SYLVANIA LED luminaires for various applications, intelligent lighting products for Smart Homes and Buildings, one of the largest LED lamps portfolios in the industry, and traditional light sources. Further information can be found at www.ledvanceUS.com.



LEDVANCE

LEDVANCE LLC
181 Ballardvale Street, Suite 203
Wilmington, MA 01887 USA
Phone: 1-800-LIGHTBULB
(1-800-544-4828)
www.ledvanceUS.com

LEDVANCE and SYLVANIA are registered trademarks. The Bluetooth® word mark and logos are registered trademarks owned by the Bluetooth SIG, Inc. and any use of such marks by LEDVANCE LLC is under license. All other trademarks are those of their respective owners. Specifications subject to change without notice.



SCAN TO FOLLOW US
ON SOCIAL MEDIA

© 2024 LEDVANCE LLC

IC-PHASE-EV-BR 6-24